

air2U
Life is wireless

 Bluetooth

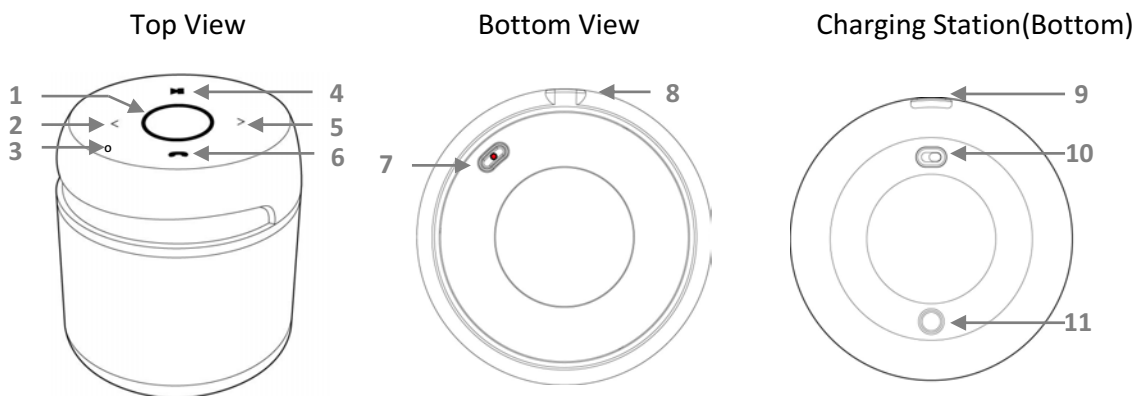


Music Speaker E15

Quick Start Guide 

English

Product Overview



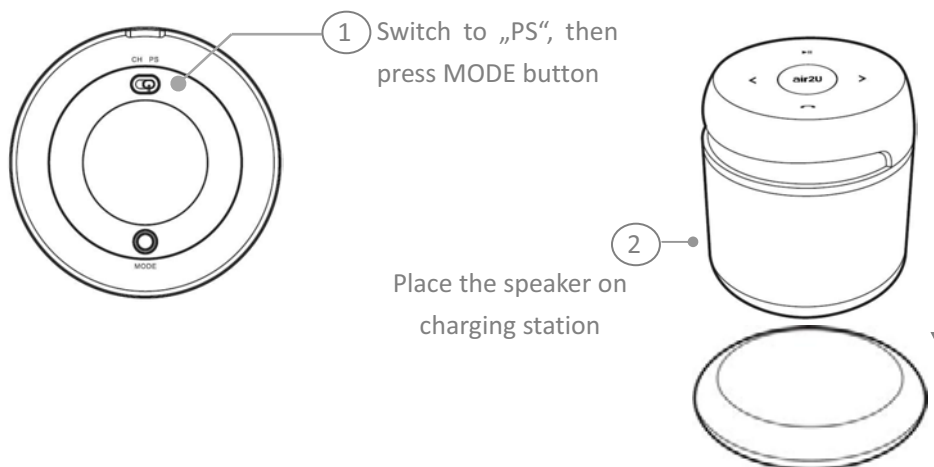
- | | | |
|--|-----------------|------------------------------|
| 1. Volume Control
(Sensitive touch key) | 4. Play / Pause | 8. Line in Jack(2.5mm) |
| 2. Previous | 5. Next | 9. Charging Jack (Micro USB) |
| 3. Microphone | 6. Hand free | 10. CH / PS Switch |
| | 7. Power on/off | 11. MODE Switch |

Charging your speaker

Before you begin using your music speaker, it is recommended to fully charge the device to ensure optimal performance.

1. Please make sure that the charging station is either fully charged or connected to an USB port, set the switch in the charger to "PS". Press MODE button. The LED lights for about 3 seconds and then starts to pulsate slowly.
2. Place the (turned off) the speaker on the top of the charging station.
3. The speaker can be fully charged in around 2.5 hours from empty. When the speaker is fully charged, the red LED lights up.

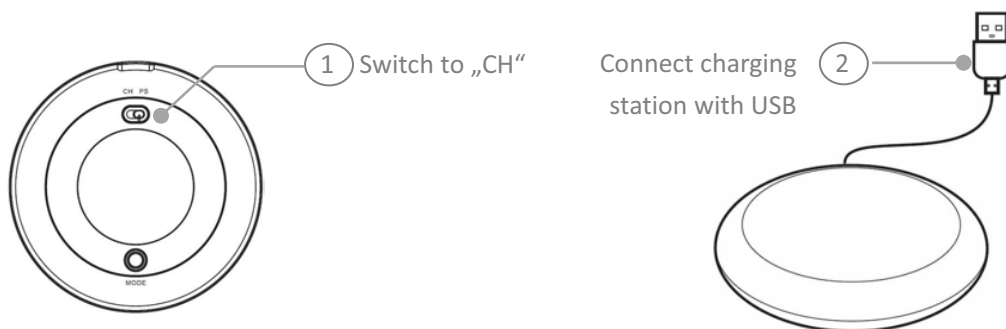
Note: Please turn the switch back to "CH" to avoid wasting power.



Charging the speaker with the mobile charging station

Charging the charging station

1. Turn the MODE switch to "CH".
2. Connect the charging station with the micro USB cable to a PC/NB or a USB power adapter. When charge, the red light ring is light.
3. When the speaker is fully charged, the red light ring turns off.



Charging a smartphone

1. Please turn the MODE switch to "PS".
2. Press the MODE button. The light ring will flash 4 times.
3. Connect the smartphone with both USB cables with the charging station.

Note: Please turn the switch to "CH" to avoid wasting power.



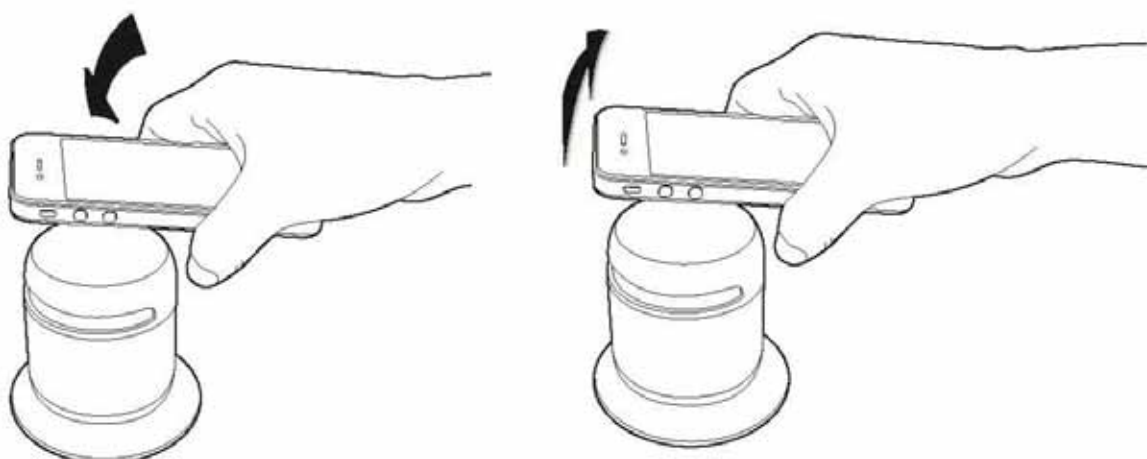
Pairing the speaker with your Bluetooth Device

1. Turn on the speaker, the Blue LED flashes quickly (pairing mode).
2. Turn on the Bluetooth function of your device and search for Bluetooth speaker. Please refer to the manual of your device about how to enable your Bluetooth function,
3. Select "the model name of your speaker" and select **CONFIRM** to pair with the speaker.

Pairing the speaker via NFC

1. Turn on the speaker, and make sure your device's NFC and Bluetooth function are active.
2. Hold your device in close proximity of the speaker. The optimal distance is 4 cm or less.



Note: The password is "0000", if your device requires a password.



Bluetooth / Line in Indicator LED

Status	Indicator	Audio message
Pairing	Blue LED flashes quickly	It's ready! Waiting for device connecting
Pairing successful	LED lights up blue	Paired
Line-In Mode	LED lights up red	NA

Hand-free function

1. Press  to answer incoming calls, streaming music will be paused.
2. Press  again to end calls, streaming music will be resumed.

Playing Music

1. Play music from your device. The sound will automatically come out from your speaker.
2. You can adjust the volume (slide clockwise to increase volume, slide anti-clockwise to lower the volume) and switch PLAY/PAUSE from both your speaker and Bluetooth device.

Volume Control

You can slide clockwise to increase volume, slide anti-clockwise to lower the volume.

Audio Input

1. You can play music via connecting the 2.5 mm audio cable to AUX IN port on the speaker and 3.5 mm to your audio output sources.
2. The speaker automatically switches to Line-in mode. The mode indicator light turns to red.

Importance Notice

1. Do not drop , damage and detach the product; otherwise the warranty will be void.
2. Avoid any contact of the device with water and dry your hands before using the device.
3. Do not expose the speaker to high temperatures and direct sunlight.
4. Avoid contact with sharp objects. Keep device off from metallic objects.
5. For your own safety, do not use the speaker frame during thunderstorms or lightning.
6. Only use accessories recommended from the manufacturer.
7. Keep the speaker out of reach from children.
8. Keep the product away from all sources of fire and don't put them in the vicinity of the device.
9. Don't place metal on the charging station; it will trigger the charging station's auto protection function. It can be re-activated by charging the station.

If the life time of the product ends, try to recycle all components, if possible. Batteries and rechargeable batteries must not be disposed with household waste! Please dispose them at a local recycling center. Together we all contribute to the protection of our environment.

